

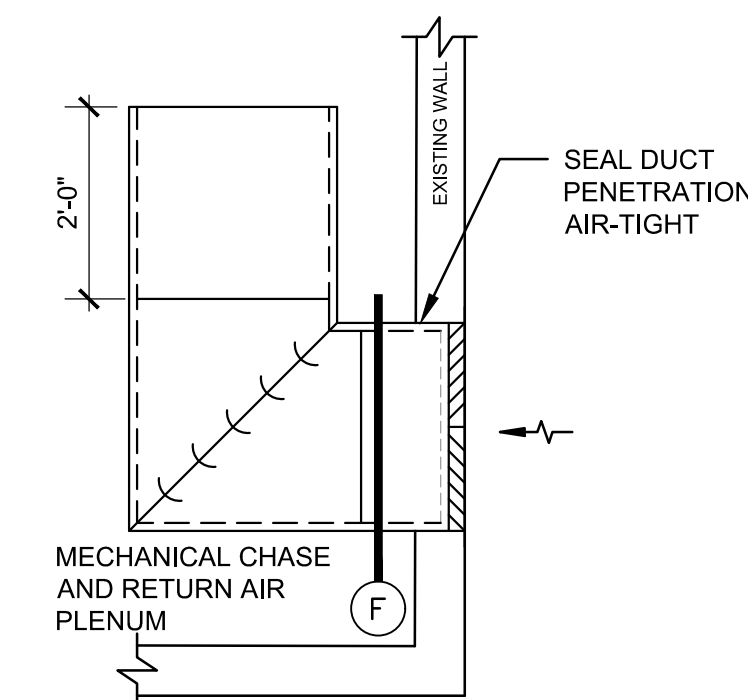
**GENERAL NOTES**

- A. CONTRACTOR IS TO COORDINATE THE LOCATION OF ALL EQUIPMENT, GRILLES, AND DIFFUSERS WITH RESPECT TO STRUCTURAL COMPONENTS, LIGHTING, AND OTHER BUILDING FEATURES.
- B. WORK SHALL COMPLY WITH LOCAL AND STATE STANDARDS. 2019 OREGON STRUCTURAL SPECIALTY CODE 2019 OREGON MECHANICAL SPECIALTY CODE 2019 OREGON FIRE CODE
- C. DUCTS ARE TO BE CONSTRUCTED ACCORDING TO SMACNA HVAC DUCT CONSTRUCTION STANDARDS. DUCTING SHALL BE SUPPORTED BY APPROVED HANGERS AT INTERVALS NOT EXCEEDING 10 FT. EXISTING DUCTWORK AND AIR OUTLETS WERE LOCATED FROM ORIGINAL DRAWINGS AND CASUAL FIELD OBSERVATION. CONTRACTOR TO FIELD VERIFY DUCT LOCATIONS.
- E. ALL DUCTWORK SHALL BE SEALED. JOINTS AND SEAMS SHALL COMPLY WITH OMSC 603.9. CONTRACTOR TO PROVIDE A PRE AND POST CONSTRUCTION AIR BALANCE OF TERMINAL BOXES 37, 38, 41, AND 42

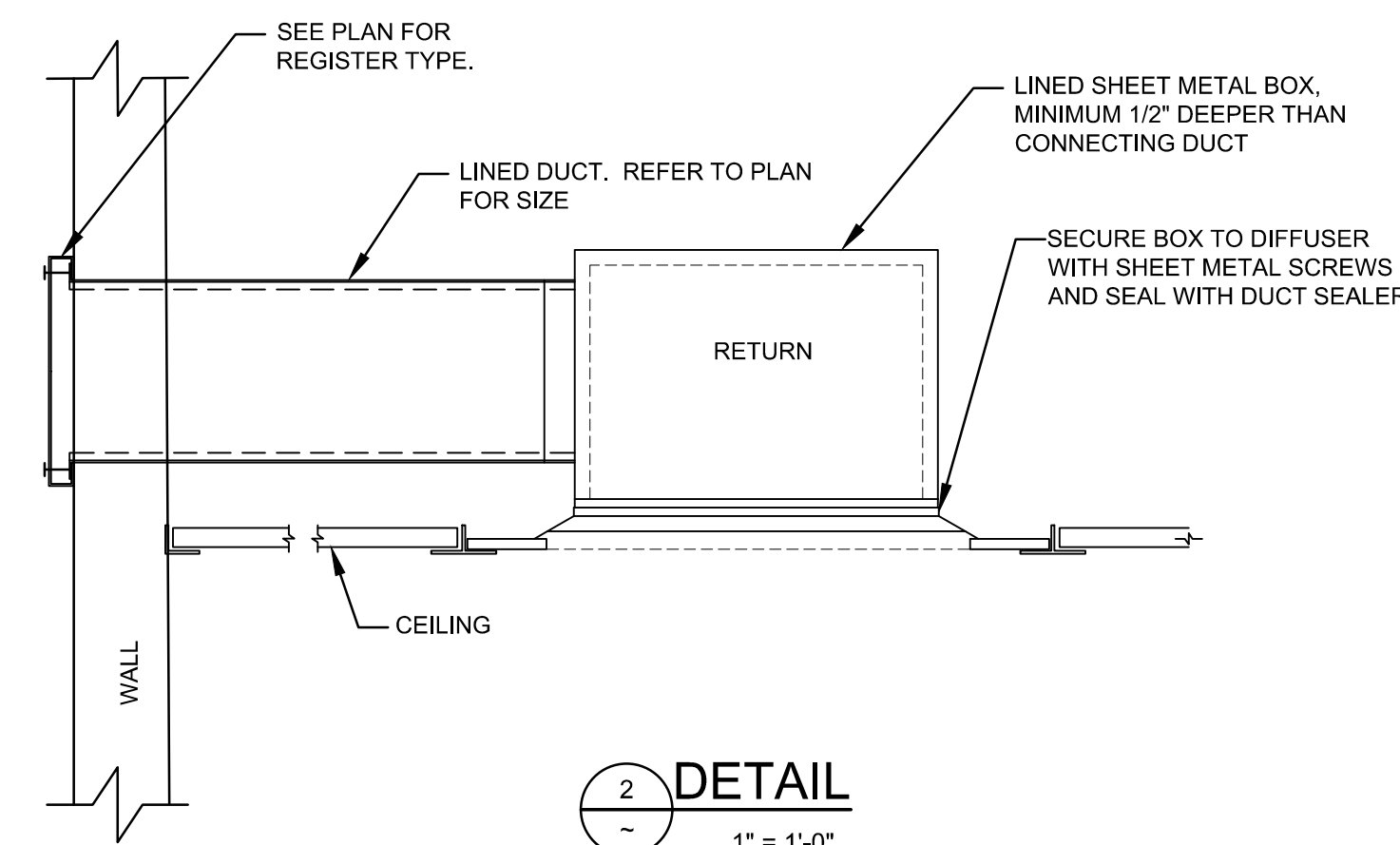
- G. WHERE INDICATED ON PLAN, PROVIDE LINED RETURN AND TRANSFER DUCTS WITH 1" LINER. DUCT SIZES INDICATE CLEAR INSIDE DIMENSIONS.

**KEYED NOTES:**

- 1 PROVIDE ELBOW AND 24" DUCT WITH 1" LINER ON ALL RETURN AIR DUCTS WITHIN THE MECHANICAL CHASE.
- 2 PROVIDE 1-HR FIRE DAMPER AT MECHANICAL CHASE PENETRATION.
- 3 MOUNT DIFFUSERS SO THAT THE DIFFUSER FACE IS AT 8'-6" AFF.
- 4 PROVIDE LINED PLENUM BOX WITH 1" LINER ON REGISTER.



1  
1/2" = 1'-0"



2  
1" = 1'-0"

AIR OUTLET SCHEDULE					
TAG	MFG.	MODEL NO.	FACE SIZE	BORDER TYPE	NOTES
SDC-1	TITUS	MDC	-	BEVELED DROP FACE	A
SDC-2	TITUS	MDC	24x24	LAY-IN	A
SDW-1	TITUS	300RS	-	SURFACE MOUNT	A
RGC-1	TITUS	PAR	24x24	LAY-IN	A
RGW-1	TITUS	350RS	-	SURFACE MOUNT	A
EGC-1	TITUS	PAR	24x24	LAY-IN	A
EGW-1	TITUS	350RS	-	SURFACE MOUNT	A

**NOTES:**  
A. TITUS PRICE, KRUEGER, OR APPROVED EQUAL

**NEW HVAC PLAN**

1/4" = 1'-0"

**ISSUED FOR CONSTRUCTION**

**EVERGREEN ENGINEERING, INC.**  
 Engineering and Construction Services  
 ATLANTA, GEORGIA (404) 887-1471  
 EVERETT, WASHINGTON (888) 484-4771  
 EUGENE, OREGON (541) 484-4771  
 www.evergreenengineering.com

CLIENT: INSPIRED ARCHITECTURE  
 LOCATION: 1200 HWY 99 N. EUGENE, OR 97402  
 CLIENT REF #:  
 DESIGN: PLS DRAWN: CJS CHECK:  
 DATE: 6-10-22 DATE:

TITLE: LANE ESD - REMODEL MEP DEPT NEW HVAC PLAN  
 DRAWING # 1000M02  
 JOB # 4366.0

CAD FILE: 1000M01 - Title - Rev2  
 THIRD ANGLE PROJECTION

REV	BY	APPD	DATE	DESCRIPTION
0	CJS	PLS	7-7-22	ISSUED FOR CONSTRUCTION